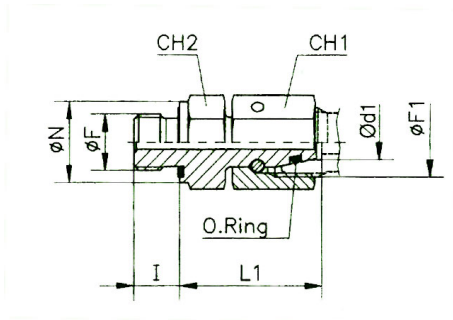


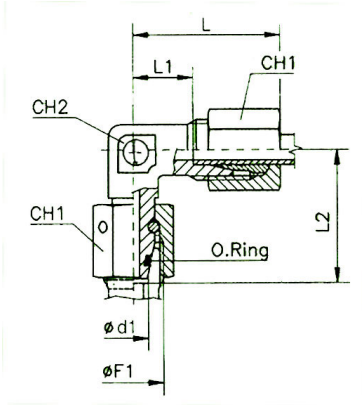
Material: Galvanised steel (DIN 2353)



V 503

Adjustable male connector with cone seal, 360° swivel range, metric thread, light type

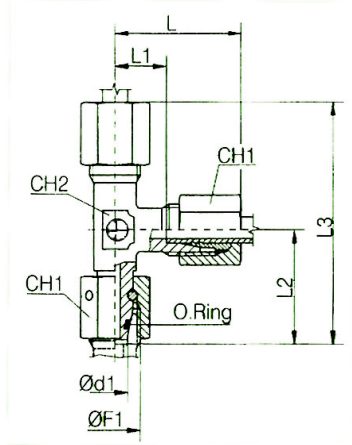
Art. No.	Type No.	Tube O.D.	PN	L1	Thread $\varnothing F$	I	CH2	$\varnothing N$	$\varnothing F1$	CH1	O-Ring (Shore A approx. 90)
112061	V 501	6	315	24.5	G 1/8	8.0	14	14.0	M12x1.5	14	4.0x1.5
112062	V 502	8	315	29.5	G 1/4	12.0	19	19.0	M14x1.5	17	6.0x1.5
112063	V 503	10	315	27.5	G 1/4	12.0	19	19.0	M16x1.5	19	7.5x1.5
112064	V 504	12	315	34.0	G 3/8	12.0	22	22.0	M18x1.5	22	9.0x1.5
112065	V 505	15	315	32.0	G 1/2	14.0	27	27.0	M22x1.5	27	12.0x2.0
112066	V 506	18	315	31.5	G 1/2	14.0	27	27.0	M26x1.5	32	15.0x2.0
112067	V 507	22	160	32.5	G 3/4	16.0	32	32.0	M30x2.0	36	20.0x2.0



V 513

Adjustable union elbow with cone seal, 360° swivel range, light type

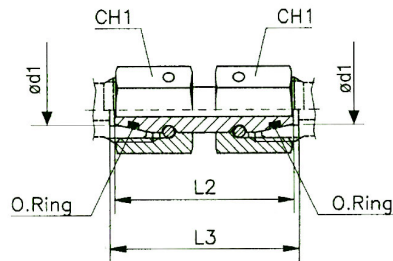
Art. No.	Type No.	Tube O.D.	PN	L	L1	L2	Thread Ø F1	CH1	CH2	O-Ring (Shore A approx. 90)
112068	V 511	6	315	27.0	12.0	26.0	M12x1.5	14	12	4.0x1.5
112069	V 512	8	315	29.0	14.0	27.5	M14x1.5	17	12	6.0x1.5
112070	V 513	10	315	30.0	15.0	29.0	M16x1.5	19	14	7.5x1.5
112071	V 514	12	315	32.0	17.0	29.5	M18x1.5	22	17	9.0x1.5
112072	V 515	15	315	36.0	21.0	32.5	M22x1.5	27	19	12.0x2.0
112073	V 516	18	315	40.0	23.5	35.5	M26x1.5	32	24	15.0x2.0
112074	V 517	22	160	44.0	27.5	38.5	M30x2.0	36	27	20.0x2.0



V 523

Adjustable run tee with cone seal, 360° swivel range, light type

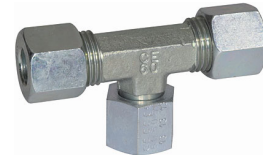
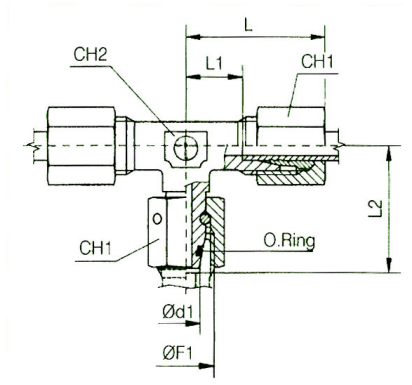
Art. No.	Type No.	Tube O.D.	PN	L	L1	L2	L3	Thread Ø F1	CH1	CH2	O-Ring (Shore A approx. 90)
112075	V 521	6	315	27.0	12.0	26.0	53.0	M12x1.5	14	12	4.0x1.5
112076	V 522	8	315	29.0	14.0	27.5	56.0	M14x1.5	17	12	6.0x1.5
112077	V 523	10	315	30.0	15.0	29.0	59.0	M16x1.5	19	14	7.5x1.5
112078	V 524	12	315	32.0	17.0	29.5	61.0	M18x1.5	22	17	9.0x1.5
112079	V 525	15	315	36.0	21.0	32.5	69.0	M22x1.5	27	19	12.0x2.0
112080	V 526	18	315	40.0	23.5	35.5	75.0	M26x1.5	32	24	15.0x2.0
112081	V 527	22	160	44.0	27.5	38.5	82.0	M30x2.0	36	27	20.0x2.0



V 533

Adjustable union with cone seal, 360° swivel range, light type

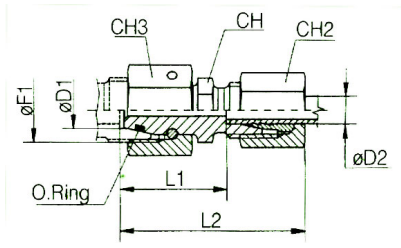
Art. No.	Type No.	Tube O.D.	PN	L2	L3	CH1	O-Ring (Shore A approx. 90)
112082	V 531	6	315	34.0	35.0	14	4.0x1.5
112083	V 532	8	315	34.0	35.0	17	6.0x1.5
112084	V 533	10	315	36.0	37.0	19	7.5x1.5
112085	V 534	12	315	36.0	37.0	22	9.0x1.5
112086	V 535	15	315	39.0	40.0	27	12.0x2.0
112087	V 536	18	315	40.5	41.5	32	15.0x2.0
112088	V 537	22	160	45.0	46.0	36	20.0x2.0



V 543

Adjustable branch tee with cone seal, 360° swivel range, light type

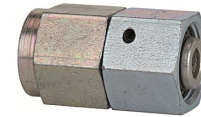
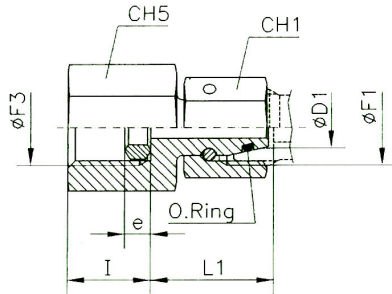
Art. No.	Type No.	Tube O.D.	PN	L	L1	L2	Thread Ø F1	CH1	CH2	O-Ring (Shore A approx. 90)
112089	V 541	6	315	27.0	12.0	26.0	M12x1.5	14	12	4.0x1.5
112090	V 542	8	315	29.0	14.0	27.5	M14x1.5	17	12	6.0x1.5
112091	V 543	10	315	30.0	15.0	29.0	M16x1.5	19	14	7.5x1.5
112092	V 544	12	315	32.0	17.0	29.5	M18x1.5	22	17	9.0x1.5
112093	V 545	15	315	36.0	21.0	32.5	M22x1.5	27	19	12.0x2.0
112094	V 546	18	315	40.0	23.5	35.5	M26x1.5	32	24	15.0x2.0
112095	V 547	22	160	44.0	27.5	38.5	M30x2.0	36	27	20.0x2.0



V 557

Reducer with cone seal, light type

Art. No.	Type No.	Tube O.D. 1	Tube O.D. 2	PN	L1	L2	CH2	CH3	Thread Ø F1	CH	O-Ring (Shore A approx. 90)
112096	V 551	8	6	315	23.5	38.0	14	17	M14x1.5	12	6.0x1.5
112097	V 552	10	6	315	25.0	40.0	14	19	M16x1.5	14	7.5x1.5
112098	V 553	12	6	315	25.0	40.0	14	22	M18x1.5	17	9.0x1.5
112099	V 554	15	6	315	28.5	43.0	14	27	M22x1.5	19	12.0x2.0
112100	V 555	18	6	315	28.0	43.0	14	32	M26x1.5	24	15.0x2.0
112101	V 556	22	6	160	32.0	47.0	14	36	M30x2.0	27	20.0x2.0
112102	V 557	10	8	315	25.0	40.0	17	19	M16x1.5	14	7.5x1.5
112103	V 558	12	8	315	25.0	40.0	17	22	M18x1.5	17	9.0x1.5
112104	V 559	15	8	315	28.5	43.0	17	27	M22x1.5	19	12.0x2.0
112105	V 560	18	8	315	28.0	43.0	17	32	M26x1.5	24	15.0x2.0
112106	V 561	22	8	160	32.0	47.0	17	36	M30x2.0	27	20.0x2.0
112107	V 562	12	10	315	26.0	41.0	19	22	M18x1.5	17	9.0x1.5
112108	V 563	15	10	315	29.5	44.0	19	27	M22x1.5	19	12.0x2.0
112109	V 564	18	10	315	29.0	44.0	19	32	M26x1.5	24	15.0x2.0
112110	V 565	22	10	160	33.0	48.0	19	36	M30x2.0	27	20.0x2.0
112111	V 566	15	12	315	29.5	44.0	22	27	M22x1.5	19	12.0x2.0
112112	V 567	18	12	315	29.0	44.0	22	32	M26x1.5	24	15.0x2.0
112113	V 568	22	12	160	33.0	48.0	22	36	M30x2.0	27	20.0x2.0
112114	V 569	18	15	315	30.0	45.0	27	32	M26x1.5	24	15.0x2.0
112115	V 570	22	15	160	34.0	49.0	27	36	M30x2.0	27	20.0x2.0
112116	V 571	22	18	160	33.5	50.0	32	36	M30x2.0	27	20.0x2.0



V 583

Pressure gauge fitting with cone seal, parallel female thread, light type

Art. No.	Type No.	Tube O.D.	PN	Thread $\varnothing F3$	Thread $\varnothing F1$	L1	CH1	CH5	e Sealing ring with cutting line	I	O-Ring (Shore A approx. 90)
112117	V 581	6	315	G 1/4	M12x1.5	21.0	14	19	4.5	14.5	4.0x1.5
112118	V 582	8	315	G 1/4	M14x1.5	21.5	17	19	4.5	14.5	6.0x1.5
112119	V 583	10	315	G 1/4	M16x1.5	22.0	19	19	4.5	14.5	7.5x1.5
112120	V 584	12	315	G 1/4	M18x1.5	22.0	22	19	4.5	14.5	9.5x1.5

Construction dimensions are circa-dimensions at tightened swivel nuts.